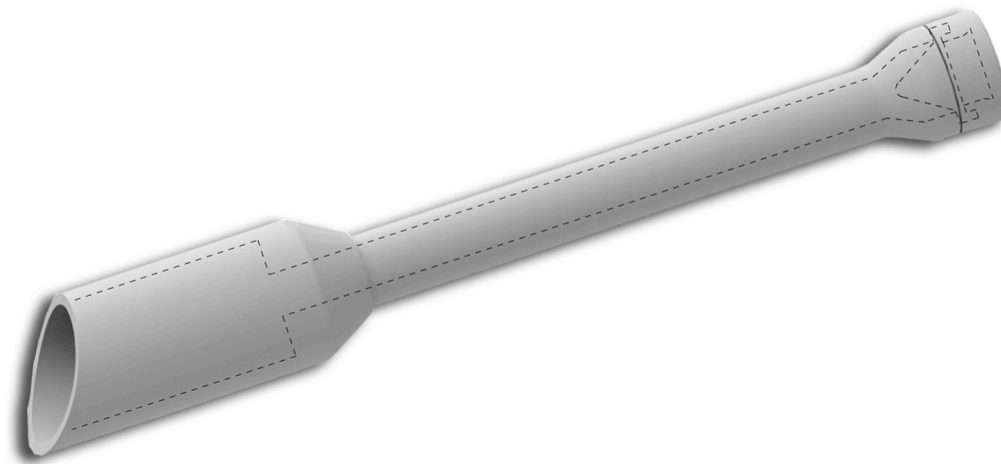




Surgical
Solutions & Chirurgie



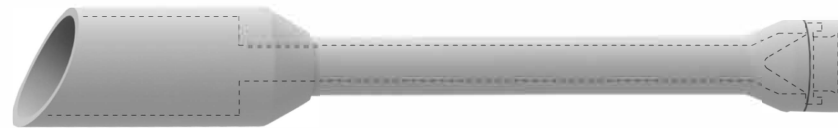
MyTube® - tube solution for total laparoscopic hysterectomy (TLH)

www.2fsurgical.com



MyTube – tube solution for total laparoscopic hysterectomy (TLH)

Safer. Faster. More efficient.



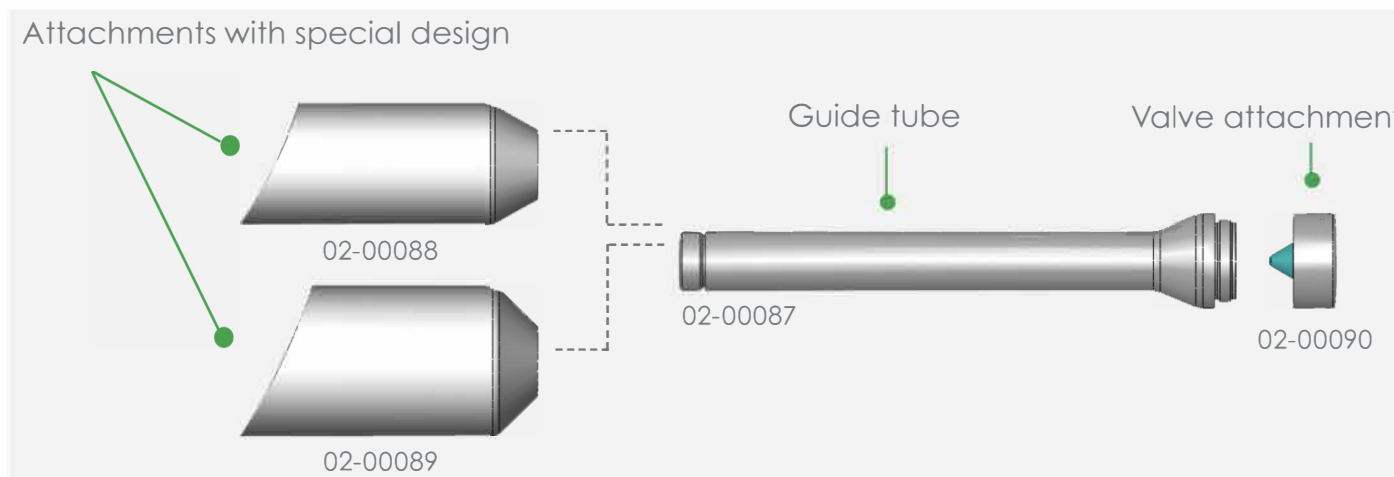
The MyTube colpotomy instrument contains several individual components which can be exchanged as required. The screw-on attachments are available in diameters of 40 mm and 50 mm.

— The advantages at a glance:

- No loss of pneumoperitoneum after colpotomy, which saves time and improves patient safety.
- Good visualisation of the uterine vessels ensures greater safety during dissection.
- Visualisation of the ureters for enhanced safety.
- Tissue samples can be collected in the attachments for simple and safe removal.
- The guide tube with 10 mm valve enables the needle and thread to be easily inserted for closing the vaginal fornix.

Simple technique for greater efficiency.

Exchangeable attachments allow simple adaptation to different anatomies and surgical techniques. The new combination system comprising disposable and reusable components is both functional and cost-efficient.



02-00091 MyTube colpotomy set, comprising:

02-00087 Guide tube Ø 12 mm (ID*) x 184 mm, reusable

02-00088 Attachment Ø 40 mm x 70 mm, reusable**

02-00089 Attachment Ø 50 mm x 90 mm, reusable**

02-00090 Valve attachment Ø 10 mm, sterile for single use, pack of 5

* ID = inside diameter / ** The attachments are reusable as long as no traces of usage, e.g. rough surfaces or sharp edges, can be detected. It has to be changed as soon as traces of usage are visible.

Information on use:

1. Lubricate the distal end of the colpotomy tube with irrigation liquid.
2. Careful insert the MyTube up to the fornix. Turn the MyTube into the desired position.
3. Using the laparoscopic hysterectomy technique, apply slight pressure to the fornix in order to clearly visualise the cervical/vaginal connection.
4. Sever the uterus at the cervical/vaginal connection using the MyTube as a support.